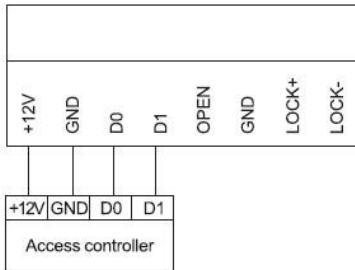




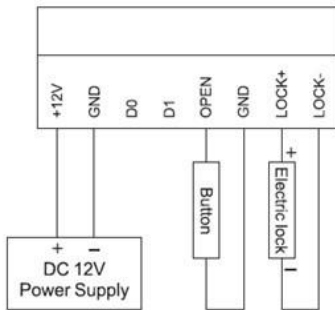
- Metal shell
- Resolution: 450 DPI
- Capacity:1000
- Output format: Wiegand26
- IP55 rating
- Operating Temperature: -20 - +50°

Connection:

Connection to the access controller



Wiring diagram (reader mode)



Network controller		
Model	PAB-FC2	
Version	-	
Doors	1	
Number of readers	1	
Card reader interface	Wiegand26	
Card reader standard	Biometric fingerprint	
Max number of users	1000	
Max number of events	-	
Communications interface		
Accessories	-	
Door sensor	-	
Exit button	1	
Fire unlock	-	
Non-volatile memory, records	-	
Fire alarm	Inputs, pcs.	-
	Outputs, pcs.	-
Alarm	Inputs, pcs.	-
	Outputs, pcs.	-
Lock output	Relay, pcs. (A)	Option
	Electromechanical lock	1
	Magnetic lock	-
Communication distance	-	
Communication interface	-	
Data protection if no power supply, year	10	
Network		
Ethernet	-	
Web-interface	-	
Languages	-	
Default IP address	-	
Login	-	
Password	-	
Web port	-	
Control port	-	
Software supported	-	
Mobile software	-	
Dimensions		
Size, mm	120×72×25	
Weight, g	350	
Common		
Power	DC 12V/80mA	
Casing material	Metal	
IP rating	55	
IK rating	-	
Operating temperature, °C	-20-+50 °C	
Warranty period, year	3	

*Note: the functions, interface, component parts and the working sequence of the device are subject to alteration without prior notice from the manufacturer due to updates of the device itself as well as its software.