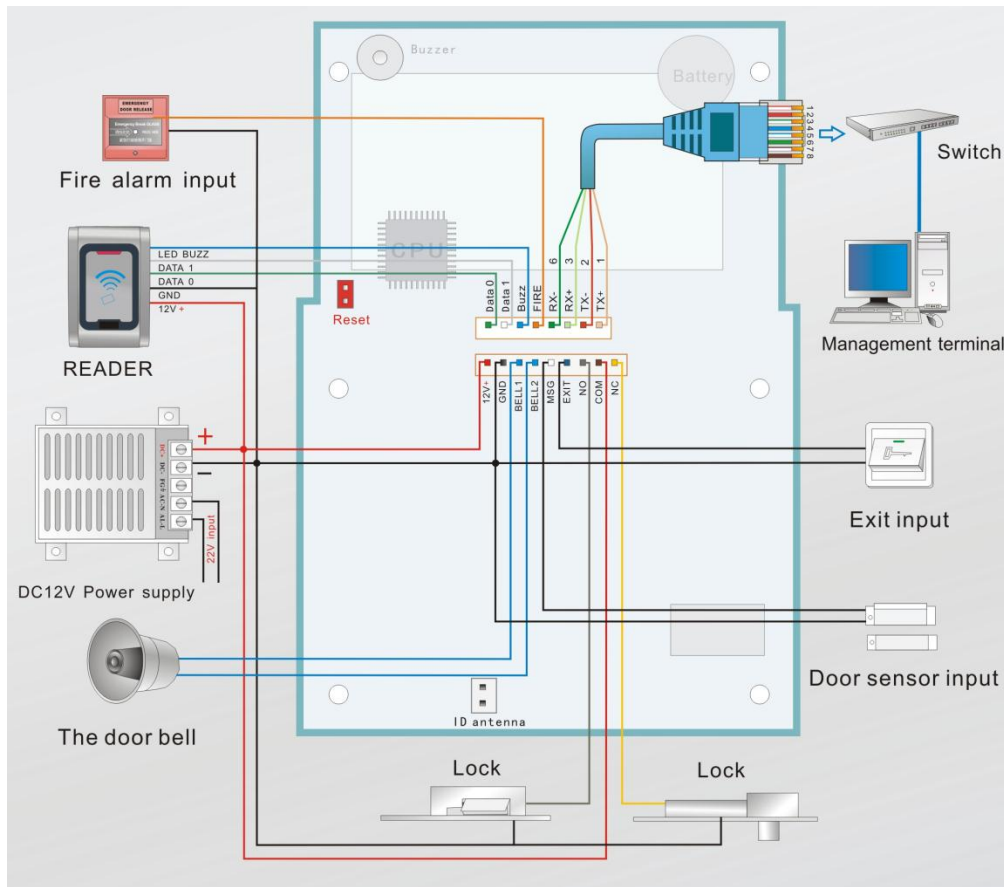




- 1 Door controller
- Max number of users 30 000
- Max number of events 60 000
- Fire alarm out
- LCD screen
- Built-in web interface
- Ethernet interface
- Free professional Software

Network controller		
Model	PAM-E12.NET	
Version	LCD	
Doors	1	
Number of readers	2(1 built-in Em Marin)	
Card reader interface	Weigand 26/34	
Card reader standard	EM-Marin/Keypad	
Reader frequency	125KHz	
Max number of users	30 000	
Max number of events	60 000	
Communications interface		
Door sensor, pcs.	1	
Exit button, pcs.	1	
Fire unlock	+	
Non-volatile memory	+	
Fire alarm	Inputs, pcs.	1
	Outputs, pcs.	1
Alarm	Inputs, pcs.	-
	Outputs, pcs.	-
Lock output	Relay, pcs.	1
	Electromechanical lock	-
	Magnetic lock	-
Communication distance	Without limitation	
Communication interface	TCP/IP	
Data protection if no power supply, year	10	
Network		
Ethernet	+	
Web-interface	+	
Languages	English	
Default IP address	Set on the device sticker	
Login	admin	
Password	888888	
Web port	80	
Control port	8000	
Software supported	Partizan ACM	
Mobile software	-	
Dimensions		
Size, mm	125x83x22	
Weight, g	90	
Common		
Power	DC 12V/150mA	
Casing material	Plastic	
IP rating	55	
IK rating	-	
Operating temperature, °C	-20 - +50	
Warranty period, year	3	

*Note: the functions, interface, component parts and the working sequence of the device are subject to alteration without prior notice from the manufacturer due to updates of the device itself as well as its software.



*Note: the colour marking of the wires may vary from the one used in the scheme. Please check the code marking compliance for the correct connection of the device.

Precautionary measures

- Do not connect the controller to the power supply from unstabilized power, this can lead to fire, electric shock or other hazards.
- Power supply and operating temperature must correspond the performance requirements of the product.
- Do not install the controller near a radiator or heaters.
- Do not use the controller without lightning protection equipment.
- The manufacturer is not responsible and will not reimburse damages for defects caused by the fault of the consumer at non-compliance with the rules of operation and installation.
- Do not attempt to repair, as this will void the warranty. If you have any fault, please contact your dealer or certified service center.
- Be sure to read the conditions of the warranty services that are included.