



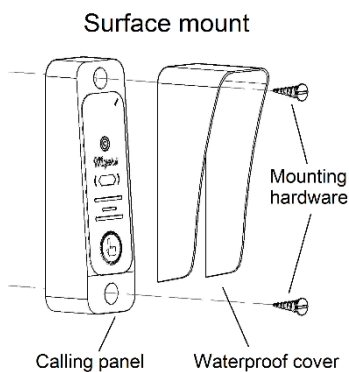
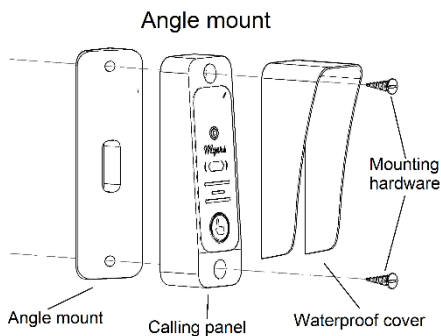
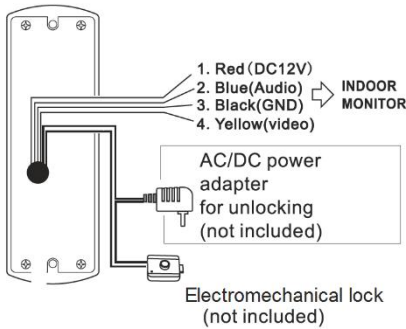
Video calling panel Myers D200

ENG



- Colour CMOS camera
- Resolution: 600 TVL
- Vandal-proof design
- IP 44 rating
- Angel bracket and waterproof cover
- IR leds
- Relay lock control

Installation manual



Calling video panel	
Model	D-200
Version	-
Colour	Black/Red/Silver/Brown
Camera	
Sensor	1/3" Pixel Plus
Resolution	600 TVL
Day/Night mode	Auto
Photosensitivity, Lux	0.5
Video system	PAL/NTSC
Video output	1 Vpp, 75Ω
Lens	
Focal length, mm	3.7
Iris, F	1.4
Horizontal angle of view, °	70
Vertical angle of view, °	43
lens Type	Spherical
IR LED	
Distance, m	3
Number of LEDs, pcs.	5
Beam Spread, °	60
Wavelength, nm	850
Dimensions	
Size, mm	140x45x40
Weight, g	340
Common	
Power	DC 12V/0.2A (from intercom)
Relay	NO/NC
Housing material	Metal
Bracket material	Metal
IP rating	44
Operating temperature, °C	-40 ~ +60
Accessories	Angel bracket, waterproof cover, mounting kit.
Warranty, years	2



Attention!

- Only qualified technician should be authorized to service this equipment
- Avoid placing the device near sources of strong electromagnetic radiation.
- Do not install the device in places exposed to direct sunlight, rain, extremely high temperatures, high humidity levels, high dust levels and aggressive chemicals.
- The most appropriate place to install the device is at the level of the user's eyes.
- Prior to installation and removal of the device please make sure that the power supply is off.
- Install the device at least 30cm away from the power supply lines to avoid interference.
- Avoid ingress of moisture, foreign particles, and insects into the device enclosure.