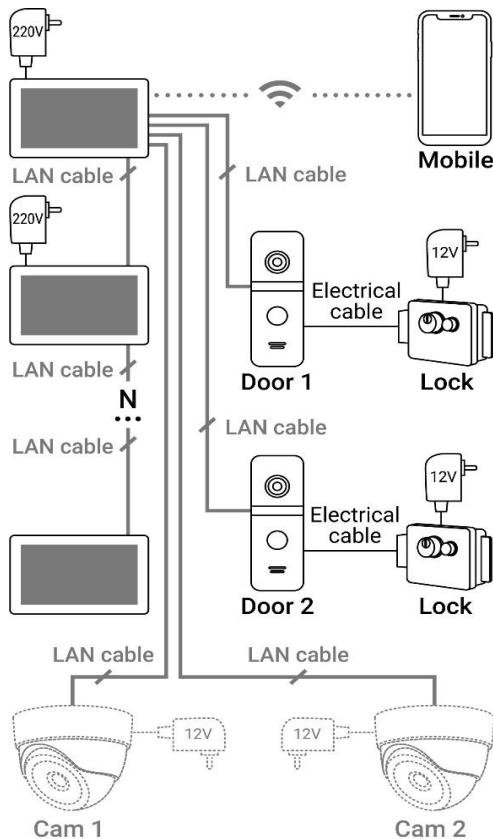




- Colour 7.0" TFT monitor
- Resolution: 1024x600
- Touch panel
- Wi-Fi
- Supports 2 calling panels
- Lock control
- Mobile app support

Doorphone		
Model	M72SD	
Version	Wi-Fi	
Colour	Black/White	
Monitor		
Display	7.0" TFT	
Resolution	1024x600	
Video system	PAL/NTSC	
Video input	1 Vpp, 75Ω	
Communication		
Calling panels supported, pcs	2 (AHD-M/CVBS)	
CCTV cameras supported, pcs	-	
Monitors (intercom) supported, pcs	-	
Calling time delay, s	120	
SD-card support (not included)	≤32Gb	
Recording (on SD-card), photo/video	+/+	
Hands-Free	+	
Network		
Network Interface	Wi-Fi	
Monitoring software	Partizan (iOS, Android)	
Dimensions		
Size, mm	185x127x19	
Weight, g	340	
Common		
Power	AC 220-240V	
Casing material, plastic/metal	+/-	
Bracket material, plastic/metal	-/+	
Operating temperature, °C	+10 - +50	
Accessories	Bracket	+
	Mounting kit	+

Installation manual



Attention!

- Only qualified technician should be authorized to service this equipment
- Avoid placing the device near sources of strong electromagnetic radiation
- Do not install the device in places exposed to direct sunlight, rain, extremely high temperatures, high humidity levels, high dust levels and aggressive chemicals
- The most appropriate place to install the device is at the level of the user's eyes
- Prior to installation and removal of the device please make sure that the power supply is off
- Install the device at least 30cm away from the power supply lines to avoid interference
- Avoid ingress of moisture, foreign particles, and insects into the device enclosure