



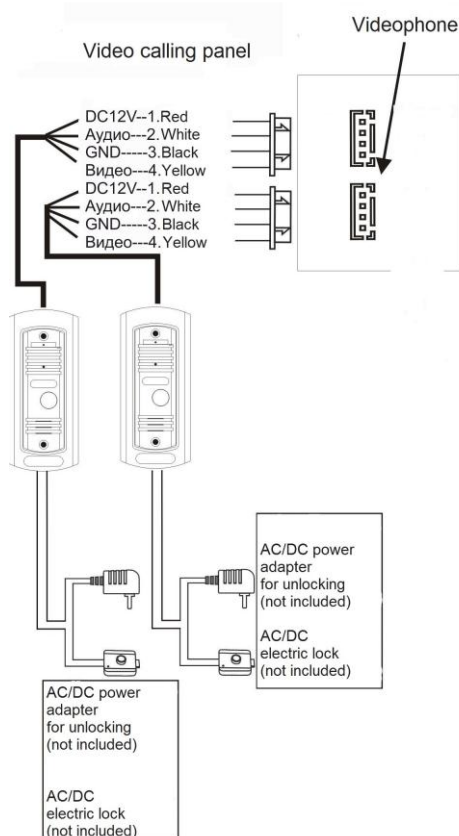
# Videophone Myers M72SD HD

ENG



- Colour 7.0" TFT monitor
- Resolution: 1024X600
- Touch panel
- Supports 2 call panels
- Lock control

## Installation manual



| Videophones                             |                                |
|---|--------------------------------|
| <b>Model</b>                            | M72SD                          |
| <b>Version</b>                          | HD                             |
| <b>Colour</b>                           | Black/White                    |
| Monitor                                 |                                |
| <b>Display</b>                          | 7.0" TFT                       |
| <b>Resolution</b>                       | 1024x600                       |
| <b>Video system</b>                     | PAL/NTSC                       |
| <b>Video output</b>                     | 1 Vpp, 75Ω                     |
| Communication                           |                                |
| <b>Support call panels, pcs</b>         | 2 /AHD-M or CVBS               |
| <b>Support CCTV camera, pcs.</b>        | -                              |
| <b>Support monitor (intercom), pcs.</b> | -                              |
| <b>Delay calling time, c</b>            | 120                            |
| <b>Support SD-card</b>                  | + / Up to 32 Gb (not included) |
| <b>Record photo/video</b>               | + / (on SD card)               |
| <b>Hands-Free</b>                       | +                              |
| Dimensions                              |                                |
| <b>Size, mm</b>                         | 185.0x127.0x19                 |
| <b>Weight, g</b>                        | 340                            |
| Common                                  |                                |
| <b>Power</b>                            | AC 220-240V                    |
| <b>Housing material</b>                 | Plastic                        |
| <b>Bracket material</b>                 | Metal                          |
| <b>Operating temperature, °C</b>        | +10~ +50                       |
| <b>Accessories</b>                      | Bracket, mounting kit.         |



## Attention!

- Only qualified technician should be authorized to service this equipment
- Avoid placing the device near sources of strong electromagnetic radiation.
- Do not install the device in places exposed to direct sunlight, rain, extremely high temperatures, high humidity levels, high dust levels and aggressive chemicals.
- The most appropriate place to install the device is at the level of the user's eyes.
- Prior to installation and removal of the device please make sure that the power supply is off.
- Install the device at least 30cm away from the power supply lines to avoid interference.
- Avoid ingress of moisture, foreign particles, and insects into the device enclosure.