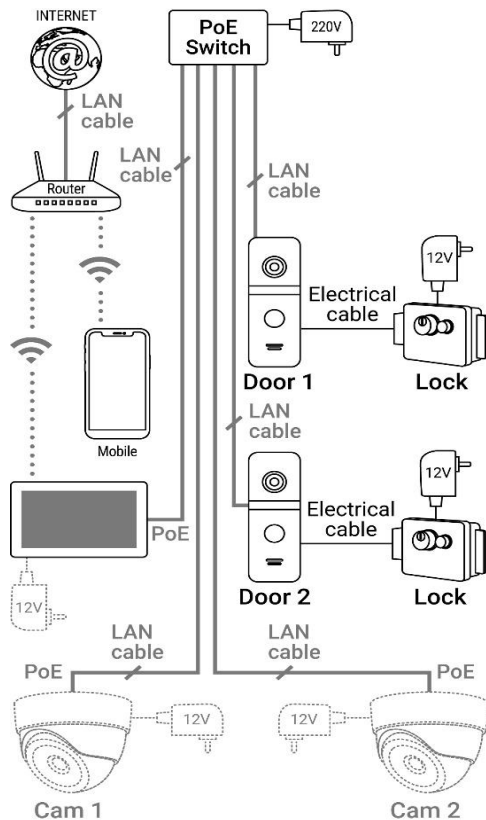




- Colour 7.0" TFT monitor
- Resolution: 1024x600
- Touch screen
- IP calling panels
- Intercom mode
- Lock control
- Mobile app support

Doorphone		
Model	MIP-75SD	
Version	Silver Touch	
Colour	Silver	
Monitor		
Display	7.0" TFT Touchscreen	
Resolution	1024x600	
Video system	PAL/NTSC	
Communication		
Maximum IP calling panels supported, model x pcs	MIP-100 Black x 6 MIP-300 series x 4 MIP-100MU Silver x 4 + MIP-100 Black x 2	
IP cameras supported, pcs	-	
Monitors (intercom) supported, pcs	10	
Calling time delay, s	120	
SD-card support (not included)	≤32Gb	
Recording (on SD-card), photo/video	+/+	
Hands-Free	+	
Network		
Network Interface	RJ-45 (10/100Base-T)/Wi-Fi	
Monitoring software	Partizan (iOS, Android)	
Dimensions		
Size, mm	226x157x22	
Weight, g	340	
Common		
Power	DC 12V, A	1.0
	POE, Class/W	0/12
Casing material, plastic/metal	+/+	
Bracket material, plastic/metal	-/+	
Operating temperature, °C	+10 - +50	
Accessories	Bracket	+
	Mounting kit	+

Installation manual



Attention!

- Only qualified technician should be authorized to service this equipment
- Avoid placing the device near sources of strong electromagnetic radiation
- Do not install the device in places exposed to direct sunlight, rain, extremely high temperatures, high humidity levels, high dust levels and aggressive chemicals
- The most appropriate place to install the device is at the level of the user's eyes
- Prior to installation and removal of the device please make sure that the power supply is off
- Install the device at least 30cm away from the power supply lines to avoid interference
- Avoid ingress of moisture, foreign particles, and insects into the device enclosure