

PARTIZAN™

Partizan PAB-FC2

1. Features & Technical Parameters

1.1 Features:

- Metal vandalproof housing
- Secure and reliable biometric fingerprint recognition
- Simple for using, wiring can be done by a user without professional knowledge
- Luminous touch unlock button. Manually or automatically enter dormant state
- IR remote control or Master fingerprint for adding or deleting users
- Able to connect to all types of electric locks
- Able for using with all kinds of controllers
- Tampering alarm function

1.2 Technical Parameters:

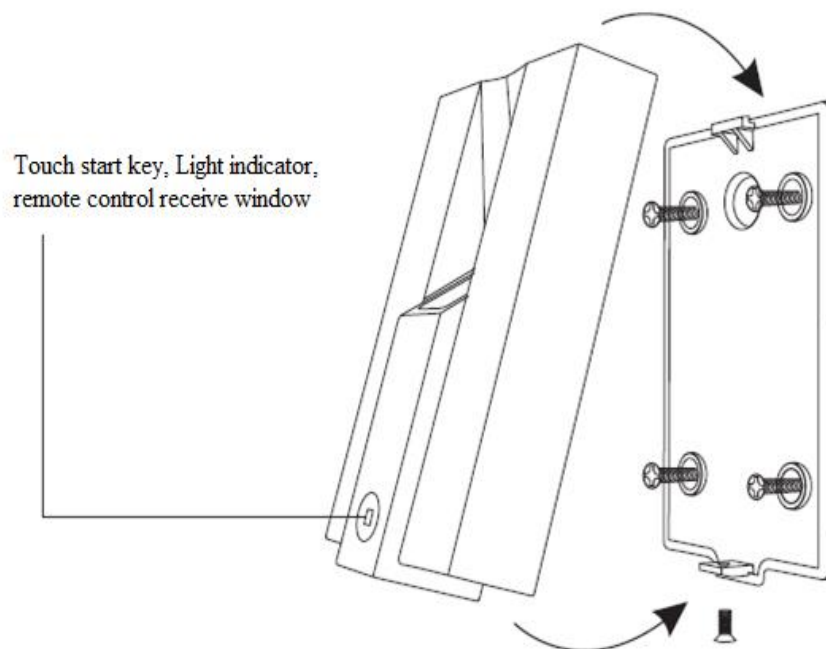
Number of users	Up to 1000
Resolution	450 Dpi
Fingerprint scan time	<0.5 s
Fingerprint identification time	<0.5 s
Output interface	Wiegand 26
FAR	<0.0000256%
FRR	<0.0198%
Operating temperature	-20°C ~ +55°C
Ingress protection rating	IP55
Dimension	120x72x25 mm
Warranty period	24 months
Power supply	DC12V/1A

2. Installation and Wiring Diagram

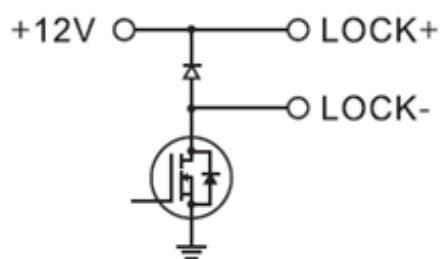
- Follow Pic.1 to draw the mounting and cable holes on the wall.
- Insert rubber bungs to the mounting holes and fix the back cover of the controller on the wall.
- Pull the cable through the cable hole of the back cover and connect it to the terminal block of the controller.
- Fasten the front cover to the back side with anti-vandal screw as in Pic.1.

Note: 1. After connecting all the wires, please double check correct connection before power on.

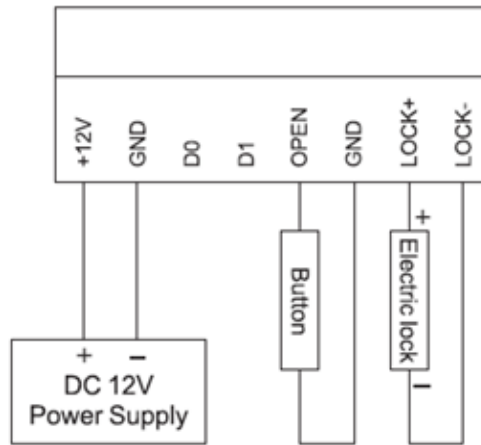
2. The device uses optical fingerprint technology, so it's not recommended for installation under direct sunlight, otherwise fingerprint identification will be abnormal.



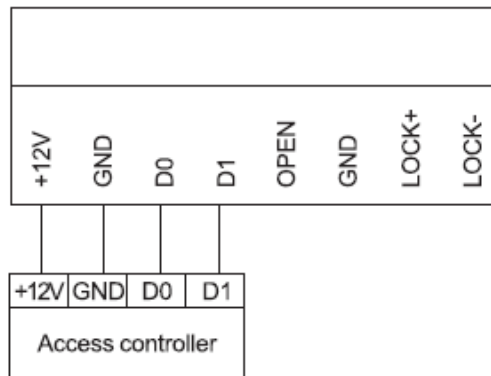
Pic. 1 Device installation



Pic. 2 Principle of the electric lock connection



Pic. 3 Wiring diagram



Pic. 4 Connection to the access controller (reader mode)

3. Master setting by IR remote control

Note that all the following settings should be done under Master programming mode.

If master PIN is wrong and time is over 5 seconds after PIN entering, the device will return to standby mode. After the correct entering of master PIN, it will also return to standby mode after 30 seconds if there is not any operation. Press “#” to confirm the inputted number, press “*” for return to the previous menu, the light indicator will indicate the operation mode.

To enter the programming mode

Red	Red flash	Functions	Description
*	6-8 digit Master PIN	To enter the programming mode	Default 888888

Access controller settings

Red flash	Orange	Functions	Description
0	6-8 digits of a new PIN, #, repeat 6-8 digits of a new PIN, #	To change Master PIN	
1	1(ID), #, press Master fingerprint twice	Add 1 Master "add fingerprint"	"add fingerprint" – for adding a user. "delete fingerprint" – for deleting a user.
	2 (ID), #, press another Master fingerprint twice	Add 1 Master "delete fingerprint"	
	Press user fingerprint twice		
	3-1000 (ID), #, press user fingerprint twice	Add 1 user	
2	Press user fingerprint once	Delete 1 user	
	1-1000 (ID), #	Delete 1 user	
2	0000, #	Delete all users	
3	0-250, #	Facility code	Default 0
4	0, #	Door relay time 50 ms	Default 5
	1-98, #	Door relay time 1-98 s	
	99, #	Toggle mode	
5	0, #	A type of lock connection (NO)	Default 1
	1, #	B type of lock connection (NC)	

4. Master fingerprint operation

To add users

Press Master Add fingerprint once, press user fingerprint twice, press Master Add fingerprint once to complete.

To delete users

Press Master Delete fingerprint once, press user fingerprint once, press Master Delete fingerprint once to complete.

5. User Operation

When the light indicator of fingerprint sensor is On, press a valid fingerprint once, the electrical lock will be unlocked. When the device is in standby mode, light indicator of a fingerprint sensor will be Off, tap the luminous touch button, the light will be on, if you press again, the light will be off. After 15 seconds of inactivity, the light of a fingerprint sensor will be off automatically - standby mode.

6. Alarm

When the device is disassembled illegally, the device will sound an alarm within 1 minute.

Press Master fingerprint or PIN to cancel alarm otherwise the alarm will stop automatically after 1 minute.

7. Reset to factory settings

If you need to connect an exit button, switch power off, press an exit button and switch power on, after that the LED turns into ORANGE after 1 second, hold the button until you hear “2 beeps”, after you hear “Long beep” and the LED turns into RED, it means the device was successfully reset to factory settings.

Reset to factory settings will not erase all user information.

8. Sound and light indication

Operation status	LED color	Sound indication
Stand by	Red	
Pressing		Beep
Unlocking	Green	Long beep
Successful	Green	Long beep
Error		Triple beep
Programming mode	Slow Red flash	
Enter settings	Orange	
Alarm	Quick Red flash	Alarm sound



9. Reader mode

Before using the device, you need to add user fingerprints, set door relay timer and facility code.

Device format data output - Wiegand 26. It's a virtual card number which consists of facility code (0-255) and fingerprint ID (3-1000).

For example: facility code is set 255, fingerprint ID is 3, then output virtual card number 255, 00003. It's convenient to manage fingerprint database.

Device output protocol – Wiegand 26. Output data is transmitted by the Low level of D0 & D1 wire:

D0: Low level means 0, green wire

D1: Low level means 1, white wire

The pulse width for Low level is 40 ms; and the time interval is 2 ms.

**BEST SOLUTION
FOR COMPLETE SECURITY
FROM EUROPEAN MANUFACTURER!**

www.partizan-cctv.com